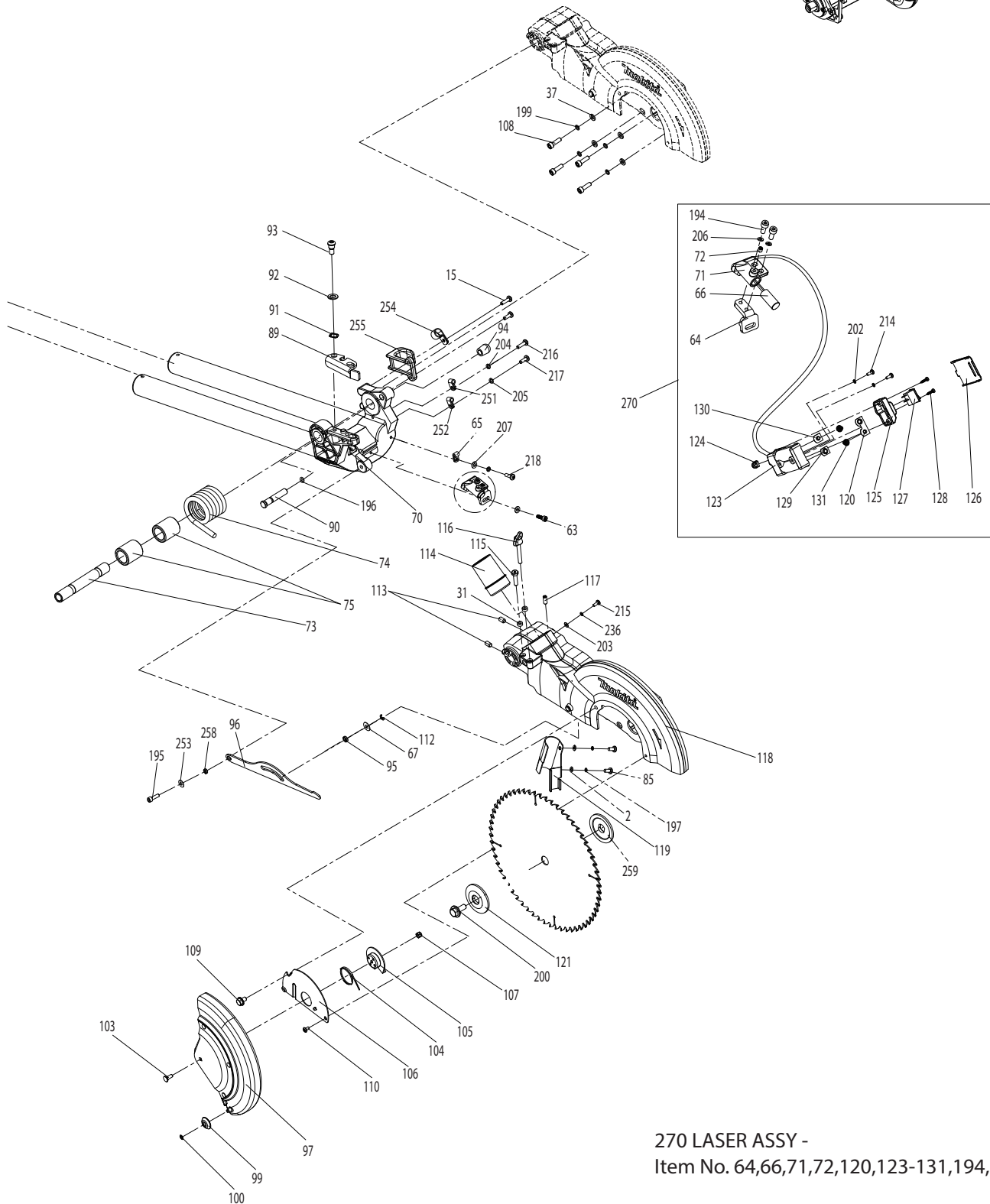
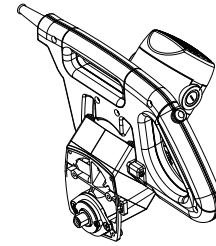




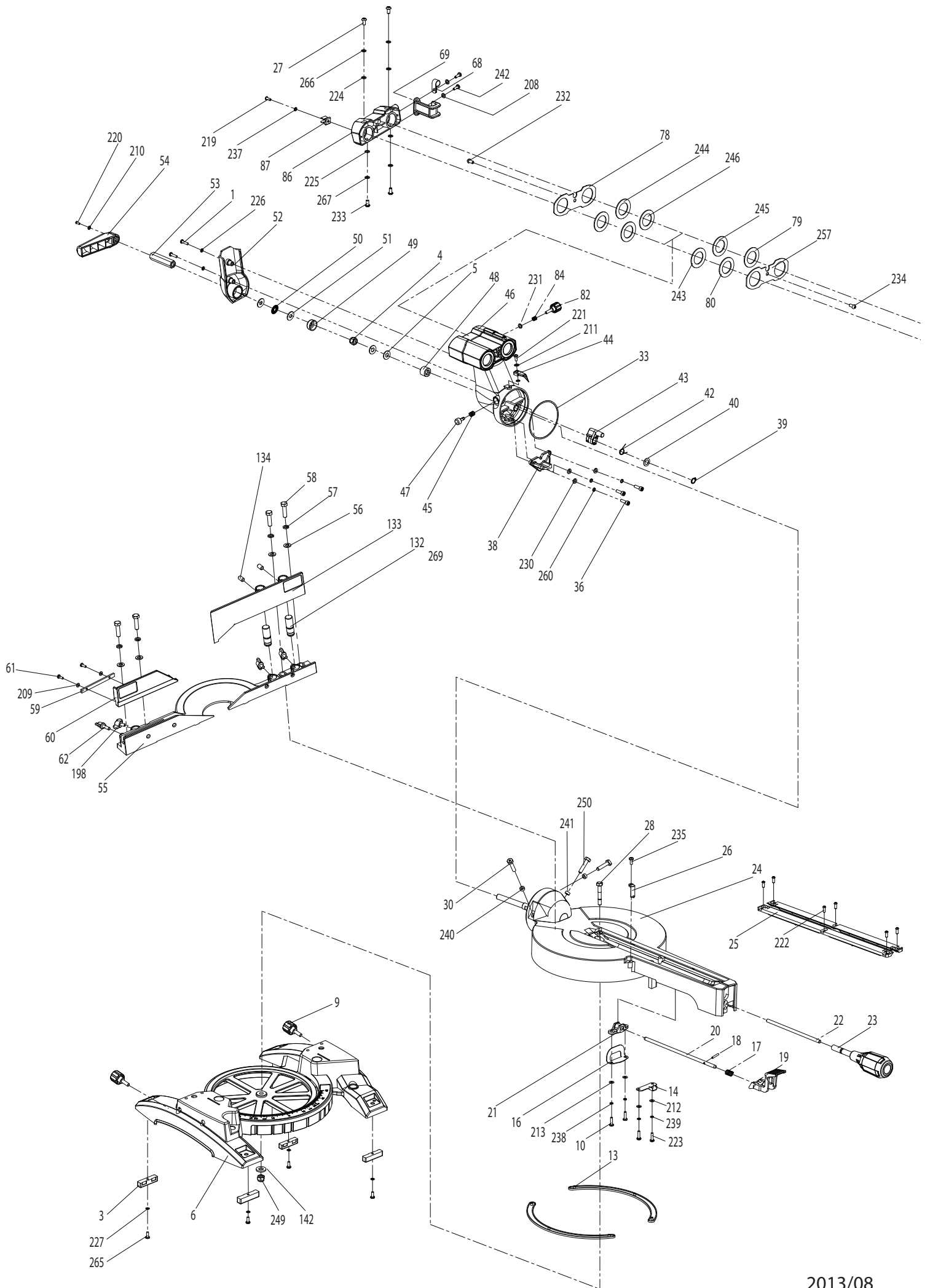
07 - 2016

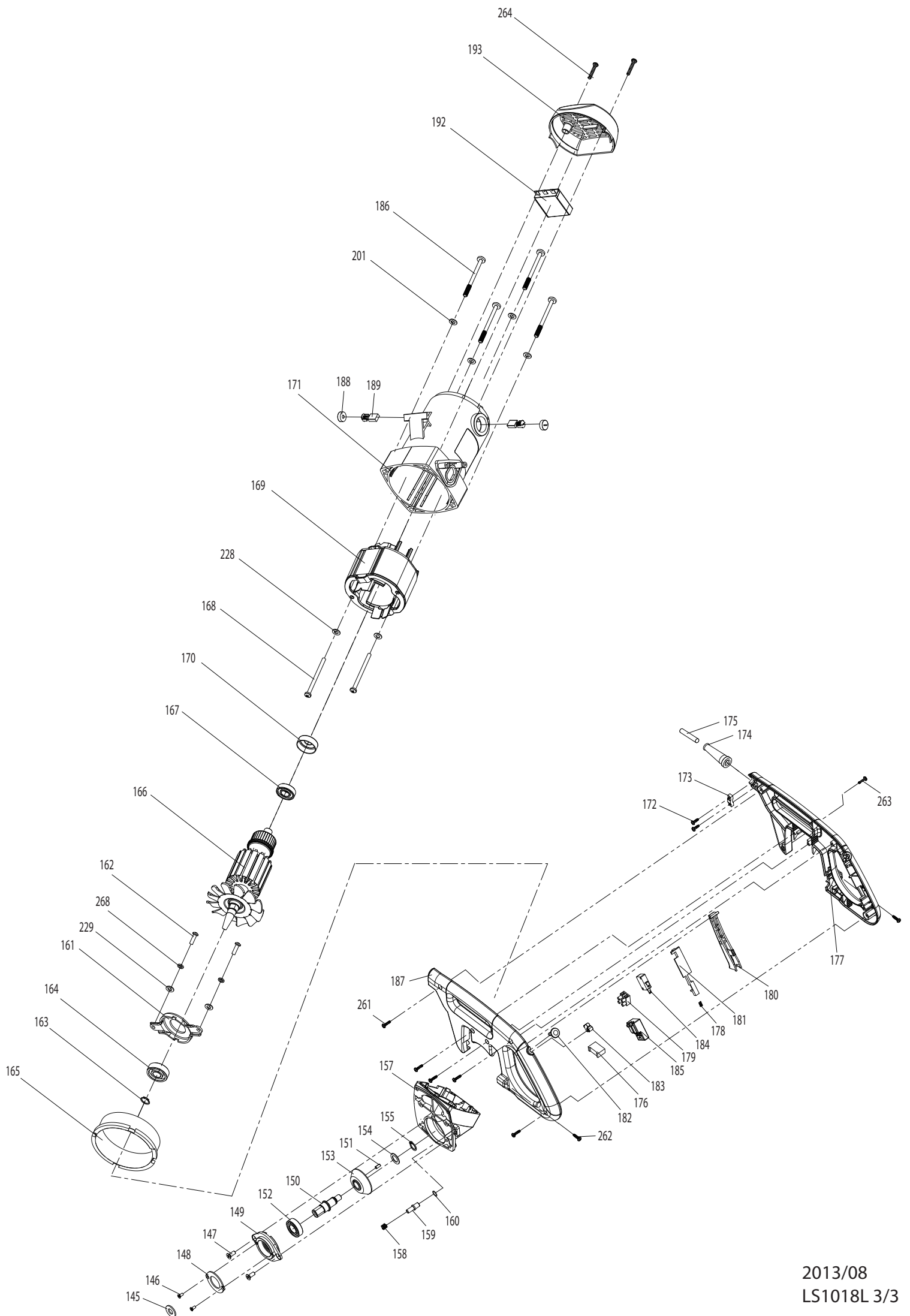
LS1018L

10" SLIDING MITRE SAW W/LASER



270 LASER ASSY -
Item No. 64,66,71,72,120,123-131,194,202,206,214





PARTS LIST

Item No	Type	Part No	Description	Qty	Unit
001		JM23100006	CROSS HEAD SCREW M5X20	4	PC.
002		JM23100007	FLAT WASHER 5	2	PC.
003		JM23100008	PAD	4	PC.
004		JM23100009	LOCKNUT M10	1	PC.
005		JM23100010	FLAT WASHER 10	2	PC.
006		JM23100300	BASE COMPLETE	1	PC.
006		INC. JM2708A060	CAUTION LABEL	2	PC.
006	3	INC.	* Item No. 007, 289		
007		JM23100012	* MITER SCALE LABEL	1	PC.
009	2	JM00000074	PH SCREW M6X20D	2	PC.
010		JM23100014	CROSS HEAD SCREW M4X15	2	PC.
013		JM23100017	FRICTION PLATE	2	PC.
014		JM23100018	LOCK PLATE A	1	PC.
015	2	JM23100019	* CROSS HEAD SCREW M4X18	1	PC.
016		JM23100020	LOCK PLATE B	1	PC.
017		JM23100021	LOCK SPRING	1	PC.
018		JM23100022	LOCK PIN	1	PC.
019		JM23100023	PRESS PLATE	1	PC.
020		JM23100024	LOCK SHAFT B	1	PC.
021		JM23100025	WORKING TABLE LOCKING BRACKET	1	PC.
022		JM23100026	LOCK SHAFT A	1	PC.
023		JM23100027	MITER LOCKING HANDLE	1	PC.
024	1	JM23200102	* WORKING TABLE COMPLETE	1	PC.
024	1	INC. JM23100038	* ELASTIC PIN 4X20	1	PC.
024	1	INC. JM23100039	* LOCKING ROD	1	PC.
024	1	INC. JM23200004	* BEVEL SCALE	1	PC.
024	1	INC. JM23180067	* CAUTION LABEL	1	PC.
024	1	INC. JM23100009	* LOCKNUT M10	1	PC.
024	2	JM23200100	* WORKING TABLE COMPLETE	1	PC.
024	2	INC.	* Item No. 292-295, 308		
025	1	JM23100029	TABLE INSERT	2	PC.
026		JM23100030	MITER POINTER	1	PC.
027		JM23100031	CROSS HEAD SCREW M5X15	2	PC.
028		JM23100032	PIVOT SHAFT	1	PC.
030		JM23100034	HEX BOLT M6X28	1	PC.
031	2	JM23100035	* ANTI-LOOSEN RING	1	PC.
033		JM23100037	FRICTION RING	1	PC.
036		JM23100040	H.S.BOLT M6X20	3	PC.
037		JM23100041	FLAT WASHER	4	PC.
038		JM23200005	45DEGREE LIMIT BRACKET	1	PC.
039	2	JM27100102	* RETAINING RING 12	1	PC.

Item No	Type	Part No	Description	Qty	Unit
040		JM23100044	FLAT WASHER 12X20X1	1	PC.
041		JM23100045	* ANGLE LIMIT SHAFT	1	PC.
042		JM23100046	90DEGREE BLOCK SPRING	1	PC.
043		JM23100047	90DEGREE BLOCK	1	PC.
044		JM23100048	BEVEL POINTER	1	PC.
045		JM23100049	MITER PRESSION SPRING	1	PC.
046	1	JM23100330	SUPPORT ARM COMPLETE	1	PC.
046	1	INC.	Item No. 79, 80, 243-246, 296-303		
047		JM23100051	LIMITED KNOB	1	PC.
048		JM23100052	CLAMP PLATE	1	PC.
049		JM23100053	BOWL TYPE PLATE	1	PC.
050		JM23100054	SURFACE BEARING	1	PC.
051		JM23100055	BIG FLAT WASHER 10X26X2.5	2	PC.
052		JM23100056	SLIDING BRACKET COVER	1	PC.
053		JM23100057	HEX NUT	1	PC.
054		JM23100058	BEVEL LOCKING HANDLE	1	PC.
055	3	JM00000076	RIP FENCE	1	PC.
056		JM23100060	FLAT WASHER 8	4	PC.
057		JM23100061	SPRING WASHER 8	4	PC.
058		JM23100062	HEX BOLT M8X30	4	PC.
059		JM23100063	KEY	1	PC.
060	2	JM23210006	* SUB FENCE COMPLETE	1	PC.
060	2	INC.	* Item No. 311, 312		
061		JM23100065	CROSS HEAD SCREW M4X8	2	PC.
062		JM23100066	WING KNOB M6X20	1	PC.
063	2	JM23100146	* H.S.BOLT M4X10	1	PC.
064		JM23100068	LASER MOVING FIX PLATE	1	PC.
065		JM23100069	LASER CORD CLAMP	1	PC.
066		JM23100070	LASER	1	PC.
067		JM23100071	THIN FLAT WASHER 6	1	PC.
068	2	JM23100194	CORD CLAMP	1	PC.
069		JM23100073	CORD WRAP BRACKET	1	PC.
070	2	JM23100343	UP BLADE GUARD BRACKETCOMPLETE	1	PC.
071		JM23100075	LASER BASE	1	PC.
072	2	JM23300038	* HEX SOCKET SET SCREW M4X6	1	PC.
073		JM23100077	CONNECTION SHAFT	1	PC.
074		JM23100078	TORSION SPRING	1	PC.
075		JM23100079	LOCATION TUBE	2	PC.
078		JM23100082	BEARING BAFFLE	1	PC.
079	2	JM23100083	* LIMITED BRACKET	1	PC.
080	2	JM23100083	* LIMITED BRACKET	1	PC.
082		JM23100086	SLIDING BAR LOCKING KNOB	1	PC.
084		JM23100088	PRESSURE SPRING	1	PC.

Item No	Type	Part No	Description	Qty	Unit
085		JM23100089	CROSS HEAD SCREW M5X12	2	PC.
086		JM23100090	SLIDING BAR REAR COVER	1	PC.
087		JM23100091	WRENCH CLIP	1	PC.
089		JM23100092	CUTTING DEPTH ADJUSTABLE PLATE	1	PC.
090	2	JM23100193	PIN C	1	PC.
091		JM23100094	WAVE SPRING WASHER	1	PC.
092		JM23100095	FLAT WASHER 8X14X1	1	PC.
093		JM23100096	DEPTH ADJUSTABLE PLATE BOLT	1	PC.
094		JM23100097	PIN CAP	1	PC.
095		JM23100098	LINK SLEEVE	1	PC.
096		JM23100099	LINK	1	PC.
097	2	JM23210008	LOWER BLADE GUARD COMPLETE	1	PC.
099		JM23100102	GUARD WHEEL	1	PC.
100		JM23100103	WHEEL LOCK RING	1	PC.
103		JM23100106	SQUARE NECK BOLT M6X12	1	PC.
104		JM23100107	GUARD SPRING	1	PC.
105		JM23100108	BOWL PLATE	1	PC.
106		JM23100109	GUARD FIX PLATE	1	PC.
107		JM23100110	LOCKNUT M6	1	PC.
108		JM23200006	H.S.BOLT M6X22	4	PC.
109		JM23100112	HEX BOLT FOR GUARD	1	PC.
110		JM23100113	CROSSHEAD SCREW FOR GUARD	1	PC.
112		JM23100115	RETAINING RING 5	1	PC.
113		JM23100116	LOCK SCREW M6X12	2	PC.
114		JM23100117	DUST PORT	1	PC.
115		JM23100118	HEX BOLT M6X25	1	PC.
116		JM23100119	LIMITED KNOB	1	PC.
117		JM23100120	H.S.SCREW M6X15	1	PC.
118	3	JM23200149	* UP BLADE GUARD COM	1	PC.
118	3	INC. JM23180063	* CAUTION LABEL	1	PC.
118	3	INC. JM23100114	* LINK PIN	1	PC.
118	3	INC. JM23180064	* CAUTION LABEL	1	PC.
118	3	INC. JM23100147	* BUFFER	1	PC.
118	4	JM23200147	* UP BLADE GUARD COM	1	PC.
118	4	INC.	* Item No. 305, 306		
119		JM23100122	DUST GUIDE PLATE	1	PC.
120		JM23100123	COPPER CONNECTION PLATE	1	PC.
121		JM23100124	BLADE FLANGE	1	PC.
123		JM23100125	BATTERY BOX	1	PC.
124		JM23100126	LASER CORD TUBE	1	PC.
125		JM23100127	LASER SWITCH COVER	1	PC.
126		JM23100128	BATTERY BOX COVER	1	PC.
127		JM23100129	LASER SWITCH	1	PC.

Item No	Type	Part No	Description	Qty	Unit
128		JM23100130	SELF-TAPPING SCREW 2.9X12	2	PC.
129		JM23100131	ANODE COPPER SHEET	1	PC.
130		JM23100132	CATHODE COPPER SHEET	1	PC.
131		JM23100133	BATTERY BOX SPRING	2	PC.
132		JM23200007	RIGHT SUB FENCE CONNECTION PIN	2	PC.
133	2	JM00000077	RIGHT SUB FENCE COMPLETE	1	PC.
134		JM23200009	H.S.SCREW WITH DOG POINT M6X10	2	PC.
142		JM23100154	BIG FLAT WASHER 10	1	PC.
145		JM23200012	OUTPUT SHAFT RING 15.88	1	PC.
146		JM23200013	COUNTERSUNK HEAD BOLT M4X10	2	PC.
147		JM23200014	COUNTERSUNK HEAD BOLT M6X15	2	PC.
148		JM23200015	BEARING PRESS PLATE	1	PC.
149		JM23200016	BEARING COVER	1	PC.
150		JM23200017	OUTPUT SHAFT	1	PC.
151		JM23200018	KEY 4X10	1	PC.
152	3	JM23200019	* BEARING 6003	1	PC.
153		JM23200020	GEAR	1	PC.
154		JM23200021	SHAFT WASHER	1	PC.
155		JM23200022	RETAINING RING 14	1	PC.
157		JM23200130	GEAR BOX COMPLETE	1	PC.
158		JM23200025	GEAR LOCK SPRING	1	PC.
159		JM23200026	GEAR LOCK PIN	1	PC.
160		JM23200027	RETAINING RING 10.5X1	1	PC.
161		JM23200028	SHAFT FIX COVER	1	PC.
162		JM23200029	CROSS HEAD SCREW M5X18	2	PC.
163		JM23200030	RETAINING RING 16	1	PC.
164	1	JM23200031	* BEARING 6003	1	PC.
164	2	JM23200019	* BEARING 6003	1	PC.
165		JM23100168	BAFFLE RING	1	PC.
166		JM23200003	ROTOR ASSEMBLY	1	PC.
166	INC.		Item No. 161, 164, 167		
167		JM23200032	BEARING 6001	1	PC.
168		JM23100170	SELF-TAPPING SCREW M5X70	2	PC.
169		JM23100003	STATOR ASSEMBLY	1	PC.
170		JM23100172	ABSORBER RING	1	PC.
171	1	JM23200123	* MOTOR HOUSE COMPLETE	1	PC.
171	2	JM23200121	* MOTOR HOUSE COMPLETE	1	PC.
172	2	JM23000106	* SELF TAPPING SCREW ST 4.2X12	2	PC.
173		JM23100166	CORD CLAMP	1	PC.
174	2	JM23100195	PROTECTION TUBE	1	PC.
175		JM23000163	CORD W/PLUG 2P-14-2.8M	1	PC.
177		JM23200034	RIGHT HANDLE	1	PC.
178		JM23100176	SWITCH HANDLE SPRING	1	PC.

Item No	Type	Part No	Description	Qty	Unit
179		JM23100171	TERMINAL POLE	1	PC.
180		JM23100174	SWITCH HANDLE	1	PC.
181		JM23100175	SWITCH LOCK PLATE	1	PC.
182		JM23100177	BRAKE SYSTEM SWITCH KEY	1	PC.
183		JM23100173	SWITCH LOCK BRACKET	1	PC.
184		JM23100178	BRAKE SYSTEM SWITCH	1	PC.
185		JM23100179	ELECTRIC SWITCH	1	PC.
186		JM23200035	CROSS HEAD SCREW M6X50	4	PC.
187		JM23200036	LEFT HANDLE	1	PC.
188		JM23100182	BRUSH CAP	2	PC.
189	2	JM23000123	CARBON BRUSH 2PC/SET	1	SET
192	2	JM23100192	SOFT STARTER, 110 - 127V	1	PC.
193		JM23100188	MOTOR REAR COVER	1	PC.
194		JM23100146	H.S.BOLT M4X10	2	PC.
195		JM23100148	H.S.BOLT M6X20 WITH GLUE	1	PC.
196		JM23100150	SEALING RING	1	PC.
197		JM23100149	SPRING WASHER 5	2	PC.
198		JM23100152	WING KNOB,M6X10	1	PC.
199		JM23100151	SPRING WASHER 6	4	PC.
200		JM23100153	BLADE BOLT	1	PC.
201		JM23100190	SPECIAL WASHER 6	4	PC.
202		JM23100016	FLAT WASHER 4	2	PC.
203		JM23100016	FLAT WASHER 4	1	PC.
204		JM23100016	FLAT WASHER 4	1	PC.
205		JM23100016	FLAT WASHER 4	1	PC.
206		JM23100016	FLAT WASHER 4	2	PC.
207	2	JM23100016 *	FLAT WASHER 4	1	PC.
208		JM23100016	FLAT WASHER 4	1	PC.
209		JM23100016	FLAT WASHER 4	2	PC.
210		JM23100016	FLAT WASHER 4	1	PC.
211		JM23100016	FLAT WASHER 4	1	PC.
212		JM23100016	FLAT WASHER 4	2	PC.
213		JM23100016	FLAT WASHER 4	2	PC.
214		JM23100033	CROSS HEAD SCREW M4X12	2	PC.
215		JM23100033	CROSS HEAD SCREW M4X12	1	PC.
216		JM23100033	CROSS HEAD SCREW M4X12	1	PC.
217		JM23100033	CROSS HEAD SCREW M4X12	1	PC.
218		JM23100033	CROSS HEAD SCREW M4X12	1	PC.
219		JM23100033	CROSS HEAD SCREW M4X12	1	PC.
220		JM23100033	CROSS HEAD SCREW M4X12	1	PC.
221		JM23100033	CROSS HEAD SCREW M4X12	1	PC.
222		JM23100033	CROSS HEAD SCREW M4X12	6	PC.
223		JM23100033	CROSS HEAD SCREW M4X12	2	PC.

Item No	Type	Part No	Description	Qty	Unit
224		JM23100007	FLAT WASHER 5	2	PC.
225		JM23100007	FLAT WASHER 5	2	PC.
226		JM23100007	FLAT WASHER 5	2	PC.
227		JM23100007	FLAT WASHER 5	4	PC.
228		JM23100007	FLAT WASHER 5	2	PC.
230		JM23100041	FLAT WASHER	3	PC.
231		JM23100041	FLAT WASHER	1	PC.
232		JM23100089	CROSS HEAD SCREW M5X12	1	PC.
233		JM23100089	CROSS HEAD SCREW M5X12	2	PC.
234		JM23100089	CROSS HEAD SCREW M5X12	1	PC.
235		JM23100089	CROSS HEAD SCREW M5X12	1	PC.
236		JM23100015	SPRING WASHER 4	1	PC.
237		JM23100015	SPRING WASHER 4	1	PC.
238		JM23100015	SPRING WASHER 4	2	PC.
239		JM23100015	SPRING WASHER 4	2	PC.
240		JM23100035	ANTI-LOOSEN RING	1	PC.
241	2	JM23100035	* ANTI-LOOSEN RING	1	PC.
242	2	JM23100019	* CROSS HEAD SCREW M4X18	1	PC.
243	2	JM23100084	* DUSTPROOF RING	1	PC.
244		JM23100083	LIMITED BRACKET	1	PC.
245	2	JM23100084	* DUSTPROOF RING	1	PC.
246		JM23100084	DUSTPROOF RING	1	PC.
249		JM23100009	LOCKNUT M10	1	PC.
250	2	JM23100034	* HEX BOLT M6X28	1	PC.
251		JM23100069	LASER CORD CLAMP	1	PC.
252		JM23100069	LASER CORD CLAMP	1	PC.
253		JM23100071	THIN FLAT WASHER 6	1	PC.
254	2	JM23100194	CORD CLAMP	1	PC.
255		JM23100073	CORD WRAP BRACKET	1	PC.
257		JM23100082	BEARING BAFFLE	1	PC.
258		JM23100098	LINK SLEEVE	1	PC.
259		JM23100124	BLADE FLANGE	1	PC.
260		JM23100151	SPRING WASHER 6	3	PC.
261	2	JM00000217	* SELF TAPPING SCREW ST 4.2X18	6	PC.
262	2	JM00000217	* SELF TAPPING SCREW ST 4.2X18	1	PC.
263	2	JM00000217	* SELF TAPPING SCREW ST 4.2X18	1	PC.
264	2	JM00000217	* SELF TAPPING SCREW ST 4.2X18	1	PC.
265	2	JM23200029	CROSS HEAD SCREW M5X18	4	PC.
266		JM23100149	SPRING WASHER 5	2	PC.
267		JM23100149	SPRING WASHER 5	2	PC.
268		JM23100149	SPRING WASHER 5	2	PC.
269		JM23100066	WING KNOB M6X20	2	PC.
270		JM23100390	LASER ASSEMBLY	1	PC.

Item No	Type	Part No	Description	Qty	Unit
270	INC.		Item No. 64,66,71,72,120,123-131,194,202,206,214		
271		JM00000038	* EXTENSION TABLE ASSY	2	PC.
271	INC.		Item No. 290, 291		
272		JM23100500	* HOLDER	2	PC.
273		JM23100016	* FLAT WASHER 4	1	PC.
274		JM23100019	* CROSS HEAD SCREW M4X18	1	PC.
275		JM23100016	* FLAT WASHER 4	1	PC.
276		JM23100019	* CROSS HEAD SCREW M4X18	1	PC.
277		JM23100016	* FLAT WASHER 4	1	PC.
278		JM00000217	* SELF TAPPING SCREW ST 4.2X18	1	PC.
279		JM23100007	* FLAT WASHER 5	1	PC.
280		JM23100007	* FLAT WASHER 5	1	PC.
281		JM23500053	* EXTERNAL TOOTHED LOCK WASHER 4	1	PC.
282		JM23100035	* ANTI-LOOSEN RING	1	PC.
283		JM23100034	* HEX BOLT M6X28	1	PC.
284		JM23100007	* FLAT WASHER 5	1	PC.
285		JM00000216	* EXTERNAL TOOTHED LOCK WASHER 5	1	PC.
286		JM23100035	* ANTI-LOOSEN RING	1	PC.
287		JM23100041	* FLAT WASHER 6	1	PC.
288		JM23100016	* FLAT WASHER 4	1	PC.
289		JM27088060	* CAUTION LABEL	1	PC.
290		JM00000259	* WING BOLT M6X14	2	PC.
291		JM00000260	* LEVELING FOOT BOLT M8X54	4	PC.
292		JM23100039	* LOCKING ROD	1	PC.
293		JM23100038	* ELASTIC PIN 4X20	1	PC.
294		JM23100009	* LOCKNUT M10	1	PC.
295		JM23100028	* WORKING TABLE	1	PC.
296		JM23100083	* LIMITED BRACKET	1	PC.
297		JM23100084	* DUSTPROOF RING	1	PC.
298		JM23100081	* BUFFER A	1	PC.
299		JM23100087	* LOCK SCREW M6X8	2	PC.
300		JM23100081	* BUFFER A	1	PC.
301		JM23100085	* LINEAR BEARING	1	PC.
302		JM23100085	* LINEAR BEARING	1	PC.
303		JM23100085	* LINEAR BEARING	1	PC.
305		JM23100114	* LINK PIN	1	PC.
306		JM23100147	* BUFFER	1	PC.
308		JM23200004	* BEVEL SCALE	1	PC.
309		JM2318A074	* CAUTION LABEL	1	PC.
310		JM2318A067	* CAUTION LABEL	1	PC.
311		JM2318A065	* CAUTION LABEL	1	PC.
312		JM23200039	* SUB FENCE	1	PC.
313		JM23280057	* CAUTION LABEL	1	PC.

Item No	Type	Part No	Description	Qty	Unit
315		JM00000062	* CAUTION LABEL	1	PC.
316		JM2318A064	* CAUTION LABEL	1	PC.
317		JM23280074	* NAME PLATE	1	PC.
318		JM00000061	* CAUTION LABEL	1	PC.
319		JM00000062	* CAUTION LABEL	1	PC.
320		JM00000063	* CAUTION LABEL	1	PC.
A01		JM23100500	HOLDER	2	PC.
A02	2	JM23100197	BOX WRENCH 13-3	1	PC.
A03	1	JM23000176	10" C.T SAW BLADE, 40T	1	PC.
A04		JM27000328	TRIANGLE PLATE	1	PC.
A05		JM23100501	DUST BAG ASSEMBLY, FASTENER TYPE	1	PC.
A06		JM23100502	VERTICAL VISE ASSEMBLY	1	PC.
A07		122930-6	HORIZONTAL VICE ASSY	1	PC.
A07	INC.	322209-7	VICE NUT	1	PC.
A07	INC.	911317-5	PAN HEAD SCREW M6X14	1	PC.
A07	INC.	286236-7	CAP 16	2	PC.
A07	INC.	271297-0	KNOB 45	1	PC.
A07	INC.	253744-3	FLAT WASHER 12	1	PC.
A07	INC.	253047-5	FLAT WASHER 6	1	PC.
A07	INC.	140554-6	VICE ARM COM. (N/A as individually)	1	PC.
A07	INC.	045002-9	THREE BOND 1401(0.1G) (N/A as individually)	1	PC.
A07	INC.	344099-8	GARD PLATE	1	PC.
A07	INC.	316952-8	VICE PLATE (N/A as individually)	1	PC.
A08	1	194943-7	SLIDE MITRE SAW STAND C (Partsbreakdown available)	1	PC.
A08	2	198687-1	SLIDE MITRE SAW STAND C WST01	1	PC.
A09		192671-8	HOLDER ASSY	1	PC.
A09	INC.	265889-5	ADJUST BOLT	2	PC.
A09	INC.	316951-0	HOLDER (N/A as individual part)	1	PC.
A09	INC.	251887-5	SCREW M6X10	2	PC.
A10		192621-3	HOLDER SET	1	PC.
A10	INC.	322312-4	HOLDER	2	PC.
A10	INC.	265708-5	SCREW M6X10	2	PC.
A12		256812-1	ROD 12 (2.1M) (Use with Item No. A09 for Support Long Stock	2	PC.
A13	1	194061-1	BENCHTOP MITER SAW STAND B (Parts Breakdown Availa	1	PC.
A13	2	198688-9	BENCHTOP MITER SAW STAND B	1	PC.
A14		WST06	MITRE SAW STAND SET (See Parts Breakdown WST06)	1	PC.
A14		WST05	MITRE SAW STAND SET (See Parts Breakdown WST05)	1	PC.
A15		JM23610051	BRACKET SET F/WST06	1	PC.
A16		192713-8	HOLDER ASSY	1	PC.
C01	2	JM2328A035	CARTON F/LS1018L	1	PC.

SERVICE CHANGES: LS1018L

1. Changes of several parts

(T/I#Y06583) (T/I#Y08268) (T/I#Y08307) (T/I#Y08365)

Item No.	Description	Type 1	Type 2	Type 3	Type 4	Type 5	
6	INC. 7	○	-----			○	Components of Item No. 6
	INC. 289		-----			○	
15	CROSS HEAD SCREW M4X18			JM23100019			Type3: Qty 2 > : Qty 1
24	WORKING TABLE COMPLETE		JM23200102		JM23200100		
	BEVEL SCALE	-----	JM23200004		-----		
	ELASTIC PIN 4X20	-----	JM23100038		-----		
	LOCKING ROD	-----	JM23100039		-----		
	HEX LOCK NUT M10	-----	JM23100009		-----		
	CAUTION LABEL	-----	JM23180067		-----		
	INC. 32, 34, 35		○			-----	
	INC. 292-295	-----		○	-----		
	INC. 292-295, 308	-----			○		
31	ANTI-LOOSEN RING			JM23100035			Type3: Qty 2 > : Qty 1
39	RETAINING RING 10		JM23100043		-----		
	RETAINING RING 12		-----		JM27100102		
60	SUB FENCE COMPLETE		JM23100323		JM23210006		Components of Item No. 60
	CAUTION LABEL		-----	JM23180065	-----		
	INC. 311, 312		-----			○	
63	HEX SOCKET BOLT M4X12		JM23100067		-----		
	HEX SOCKET BOLT M4X10		-----		JM23100146		
72	HEX SOCKET SCREW M4X10		JM23100076		-----		
	HEX SOCKET SET SCREW M4X		-----		JM23300038		
79	LIMITED BRACKET			JM23100083			Type3: Qty 2 > : Qty 1
80	DUSTPROOF RING		JM23100084		-----		
	LIMITED BRACKET		-----		JM23100083		
118	UP BLADE GUARD COMPLE		JM23200149		JM23200147		Components of Item No. 118
	CAUTION LABEL		JM23180063		-----		
	LINK PIN	-----	JM23100114		-----		
	BUFFER	-----	JM23100147		-----		
	CAUTION LABEL		JM23180064		-----		
	INC. 143		○		-----		
	INC. 305, 306		-----		○		
152, 164	BEARING 6003		JM23200031		JM23200019		
171	MOTOR HOUSING COMPLE		JM23200123		JM23200121		
172	SELF TAP SCREW M4X16		JM23100167		-----		
	SELF TAP SCREW M4.2X12		-----		JM23000106		
207	FLAT WASHER			JM23100016			Type3: Qty 2 > : Qty 1
241	ANTI-LOOSEN RING			JM23100035			Type3: Qty 2 > : Qty 1
242	CROSS HEAD SCREW M4X			JM23100019			Type3: Qty 2 > : Qty 1
243	LIMITED BRACKET		JM23100083		-----		
	DUSTPROOF RING		-----		JM23100084		
245	DUSTPROOF RING			JM23100084			Type4: Qty 2 > : Qty 1
250	HEX BOLT M6X28			JM23100034			Type3: Qty 2 > : Qty 1
261	SELF TAP SCREW M4X16		JM23100167		-----		Type3: Qty 5 > : Qty 6
	SELF TAP SCREW M4.2X18		-----		JM00000217		
262, 264	SELF TAP SCREW M4X16		JM23100167		-----		
	SELF TAP SCREW M4.2X18		-----		JM00000217		
263	SELF TAP SCREW M4X16		JM23100167		-----		Type3: Qty 2 > : Qty 1
	SELF TAP SCREW M4.2X18		-----		JM00000217		
273 - 288	ADDITIONAL ITEMS		-----		○		See T/I#Y08268
289, 292-30	ADDITIONAL ITEMS		-----			○	See T/I#Y08307
308 - 320	ADDITIONAL ITEMS		-----			○	See T/I#Y08365

* See T/I#Y06583, Y08268, Y08307 and Y08365 for details and images.

2. Additional Item

(T/I#Y08266)

Item No.	Description	Type 1	Type 2
272	HOLDER	-----	JM23100500

3. Additional Items

(T/I#Y09542)

Item No.	Description	Type 1	Type 2
290	WING BOLT M6X14	-----	JM00000259
291	LEVELING FOOT BOLT M8X54	-----	JM00000260

4. Correction of Parts List

(T/I#Y09542)

Item No.	Description	Type 1	Type 2	
271	EXTENSION TABLE ASSY	-----	JM00000038	Components of Item No. 271
290	WING BOLT M6X14	-----	JM00000259	
291	LEVELING FOOT BOLT M8X54	-----	JM00000260	

